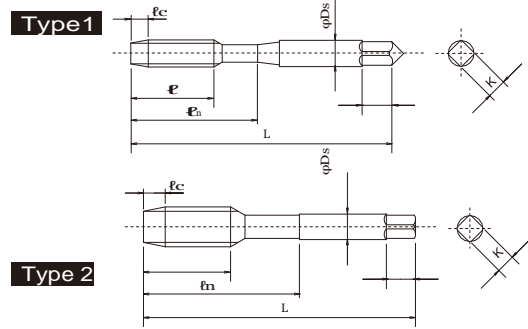


Taro xoắn A-SFT



- Vật liệu : CPM
- Lớp phủ : V (Composite multi-layered)
- Góc xoắn : 45° Góc cắt : 2.5P



No. EDP NO.	Thread Size	TAPLimit	L	ℓ	ℓn	Ds	Flutes	External Center	Type	Stock
8325234	M 1.4x0.3	OH1	34	6	-	3	2	-	1	D
8325239	M 1.6x0.35	OH1.5	36	7	-	3	2	-	1	D
8325244	M 1.7x0.35	OH1.5	36	8	-	3	2	-	1	D
8325249	M 2 x0.4	OH1.5	40	3.2	10	3	2	-	1	A
8325630		OH2.5								D
8325631		OH3.5								D
8325250	M 2 x0.25	OH1	40	3.2	10	3	2	-	1	D
8325632		OH2								D
8325252	M 2.2x0.45	OH2	42	3.6	11	3	2	-	1	D
8325634		OH3								D
8325253	M 2.2x0.25	OH1	42	3.6	11	3	2	-	1	D
8325636		OH2								D
8325254	M 2.3x0.4	OH1.5	42	3.6	12	3	2	-	1	B
8325638		OH2.5								D
8325259	M 2.5x0.45	OH2	44	3.6	13	3	2	-	1	B
8325640		OH3								D
8325641		OH4								D
8325262	M 2.5x0.35	OH1.5	44	3.6	13	3	2	-	1	D
8325642		OH2.5								D
8325264	M 2.6x0.45	OH2	44	3.6	13	3	2	-	1	A
8325644		OH3								D
8325269	M 3 x0.5	OH2	46	4	19	4	3	-	1	A
8325650		OH3								D
8325651		OH4								D
8325272	M 3 x0.35	OH2	46	4	19	4	3	-	1	D
8325652		OH3								D
8325276	M 3.5x0.6	OH2	48	4.8	20	4	3	-	1	B
8325654		OH3								D
8325279	M 3.5x0.35	OH2	48	4.8	20	4	3	-	1	D
8325655		OH3								D

Low Carbon Steels	Medium Carbon Steels	High Carbon Steels	Alloy Steels	Hardened Steels			Stainless Steels	Tool Steels	Cast Steels	Cast Iron	Ductile Cast Iron	Copper	Brass	Brass Casting	Bronze	Aluminum Rolled	Aluminum Alloy Casting	Magnesium Alloy Casting	Zinc Alloy Casting	Titanium Alloys	Nickel Alloys	Thermo Setting Plastic	Thermo Plastic
C ~0.25%	C0.25% ~0.45%	C 0.45%~	SCM	25~45 HRC	45~55 HRC	50~60 HRC	SUS	SKD	SC	FC	FCD	Cu	Bs	BsC	PB	AL	AC,ADC	MC	ZDC				
○	○	○	○				○	○	○		○	○	○	○	○	○	○	○	○				

No. EDP NO.	Thread Size		TAPLimit	L	ℓ	ℓn	Ds	Flutes	External Center	Type	Stock
8325283	M 4	×0.7	OH3	52	5.6	21	5	3	-	1	A
8325660			OH4								D
8325661			OH5								D
8325286	M 4	×0.5	OH2	52	5.6	21	5	3	-	1	D
8325662			OH3								D
8325287	M 4.5	×0.75	OH2	55	6	21	5	3	-	1	D
8325664			OH3								D
8325288	M 4.5	×0.5	OH2	55	6	21	5	3	-	1	D
8325665			OH3								D
8325290	M 5	×0.8	OH3	60	6.4	24	5.5	3	-	1	A
8325668			OH4								D
8325669			OH5								D
8325293	M 5	×0.5	OH2	60	6.4	24	5.5	3	-	1	D
8325673			OH3								D
8325295	M 5.5	×0.5	OH2	60	7.2	25	5.5	3	-	1	D
8325676			OH3								D
8325297	M 6	×1	OH3	62	8	29	6	3	-	1	A
8325678			OH4								D
8325679			OH5								D
8325300	M 6	×0.75	OH2	62	8	29	6	3	-	1	B
8325680			OH3								D
8325302	M 6	×0.5	OH2	62	8	29	6	3	-	1	D
8325681			OH3								D
8325304	M 7	×1	OH3	65	12	33	6.2	3	-	2	D
8325684			OH4								D
8325305	M 7	×0.75	OH2	65	9	33	6.2	3	-	2	D
8325685			OH3								D
8325307	M 8	×1.25	OH3	70	15	37	6.2	3	-	2	A
8325688			OH4								D
8325689			OH5								D
8325311	M 8	×1	OH3	70	12	37	6.2	3	-	2	B
8325690			OH4								D
8325312	M 8	×0.75	OH3	70	12	37	6.2	3	-	2	D
8325691			OH4								D
8325314	M 9	×1.25	OH3	72	15	38	7	3	-	2	D
8325694			OH4								D
8325315	M 9	×1	OH3	72	12	38	7	3	-	2	D
8325695			OH4								D
8325316	M 9	×0.75	OH3	72	12	38	7	3	-	2	D
8325696			OH4								D

Low Carbon Steels	Medium Carbon Steels	High Carbon Steels	Alloy Steels	Hardened Steels			Stainless Steels	Tool Steels	Cast Steels	Cast Iron	Ductile Cast Iron	Copper	Brass	Brass Casting	Bronze	Aluminum Rolled	Aluminum Alloy Casting	Magnesium Alloy Casting	Zinc Alloy Casting	Titanium Alloys	Nickel Alloys	Thermo Setting Plastic	Thermo Plastic
C ~0.25%	C 0.25% ~0.45%	C 0.45% ~	SCM	25~45 HRC	45~55 HRC	50~60 HRC	SUS	SKD	SC	FC	FCD	Cu	Bs	BsC	PB	AL	AC,ADC	MC	ZDC				
○	◎	◎	○				○	○	○		○	○	○	○	○	○	◎	○	○				

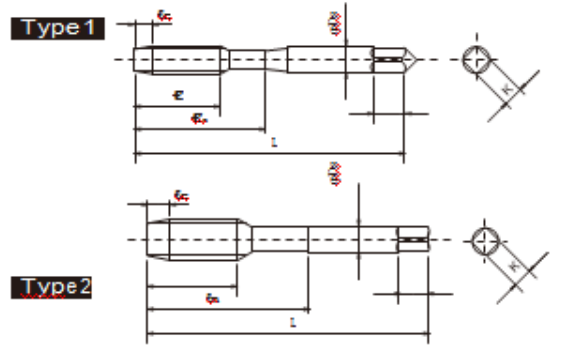
Taro xoắn A-SFT



●Vật liệu: CPM

●Lớp phủ: V (Composite multi-layered)

●Góc xoắn: 45° Góc cắt: 2.5P



No. EDP NO.	Thread Size	TAPLimit	L	l	ln	Ds	Flutes	External Center	Type	Stock
8325317	M 10 ×1.5	OH3	75	18	41	7	3	-	2	A
8325700		OH4								D
8325701		OH5								D
8325321	M 10 ×1.25	OH3	75	15	41	7	3	-	2	A
8325702		OH4								D
8325324	M 10 ×1	OH3	75	15	41	7	3	-	2	B
8325703		OH4								D
8325325	M 10 ×0.75	OH3	75	15	41	7	3	-	2	D
8325704		OH4								D
8325327	M 11 ×1.5	OH3	80	18	48	8	3	-	2	D
8325710		OH4								D
8325328	M 11 ×1	OH3	80	15	48	8	3	-	2	D
8325714		OH4								D
8325329	M 11 ×0.75	OH3	80	15	48	8	3	-	2	D
8325715		OH4								D
8325330	M 12 ×1.75	OH4	82	21	48	8.5	3	-	2	A
8325718		OH5								D
8325719		OH6								D
8325334	M 12 ×1.5	OH3	82	18	48	8.5	3	-	2	A
8325720		OH4								D
8325337	M 12 ×1.25	OH3	82	18	48	8.5	3	-	2	A
8325721		OH4								D
8325340	M 12 ×1	OH3	82	18	48	8.5	3	-	2	B
8325722		OH4								D

Low Carbon Steels	Medium Carbon Steels	High Carbon Steels	Alloy Steels	Hardened Steels			Stainless Steels	Tool Steels	Cast Steels	Cast Iron	Ductile Cast Iron	Copper	Brass	Brass Casting	Bronze	Aluminum Rolled	Aluminum Alloy Casting	Magnesium Alloy Casting	Zinc Alloy Casting	Titanium Alloys	Nickel Alloys	Thermo Setting Plastic	Thermo Plastic
C ~0.25%	C 0.25%~0.45%	C 0.45%~	SCM	25~45 HRC	45~55 HRC	50~60 HRC	SUS	SKD	SC	FC	FCD	Cu	Bs	BsC	PB	AL	AC,ADC	MC	ZDC				
○	◎	◎	○				○	○	○		○	○	○	○	○	○	◎	○	○				

◎: Best ○: Good

No. EDP NO.	Thread Size	TAPLimit	L	ℓ	ℓn	Ds	Flutes	External Center	Type	Stock
8325347	M 14 ×2	OH4								A
8325730		OH5	88	24	48	10.5	3	-	2	D
8325350	M 14 ×1.5	OH3								A
8325731		OH4	88	18	48	10.5	3	-	2	D
8325352	M 14 ×1.25	OH3								D
8325732		OH4	88	18	48	10.5	3	-	2	D
8325354	M 14 ×1	OH3								D
8325733		OH4	88	18	48	10.5	3	-	2	D
8325355	M 15 ×1.5	OH3								D
8325736		OH4	95	18	52	10.5	3	-	2	D
8325356	M 15 ×1	OH3								D
8325737		OH4	95	18	52	10.5	3	-	2	D
8325357	M 16 ×2	OH4								A
8325740		OH5	95	24	52	12.5	3	-	2	D
8325360	M 16 ×1.5	OH3								A
8325741		OH4	95	18	52	12.5	3	-	2	D
8325362	M 16 ×1	OH3								D
8325742		OH4	95	18	52	12.5	3	-	2	D
8325364	M 17 ×1.5	OH3								D
8325745		OH4	100	18	55	13	3	-	2	D
8325366	M 17 ×1	OH3								D
8325746		OH4	100	18	55	13	3	-	2	D
8325367	M 18 ×2.5	OH5								A
8325749		OH6	100	30	55	14	4	-	2	D
8325369	M 18 ×2	OH4								D
8325750		OH5	100	24	55	14	4	-	2	D
8325370	M 18 ×1.5	OH4								A
8325751		OH5	100	24	55	14	4	-	2	D
8325372	M 18 ×1	OH3								D
8325752		OH4	100	24	55	14	4	-	2	D
8325377	M 20 ×2.5	OH5								A
8325757		OH6	105	30	58	15	4	-	2	D
8325379	M 20 ×2	OH4								D
8325758		OH5	105	24	58	15	4	-	2	D
8325380	M 20 ×1.5	OH4								A
8325759		OH5	105	24	58	15	4	-	2	D
8325382	M 20 ×1	OH3								D
8325760		OH4	105	24	58	15	4	-	2	D

A-B : Available stock

D:To be conformed

Low Carbon Steels	Medium Carbon Steels	High Carbon Steels	Alloy Steels	Hardened Steels			Stainless Steels	Tool Steels	Cast Steels	Cast Iron	Ductile Cast Iron	Copper	Brass	Brass Casting	Bronze	Aluminum Rolled	Aluminum Alloy Casting	Magnesium Alloy Casting	Zinc Alloy Casting	Titanium Alloys	Nickel Alloys	Thermo Setting Plastic	Thermo Plastic
C ~0.25%	C 0.25% ~0.45%	C 0.45%~	SCM	25~45 HRC	45~55 HRC	50~60 HRC	SUS	SKD	SC	FC	FCD	Cu	Bs	BsC	PB	AL	AC,ADC	MC	ZDC				
○	◎	◎	○				○	○	○		○	○	○	○	○	○	◎	○	○				

◎: Best ○: Good