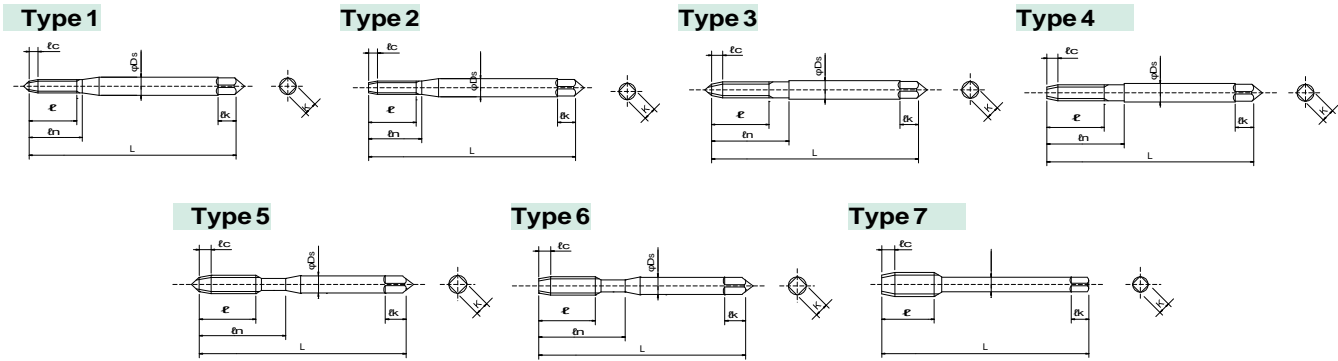


Taro nén S-XFP (New series)



Metric

Unit:mm

No. EDP No.	Thread Size	TAP Limit	lc	L	l	ln	Ds	lk	K	Type	Stock
8321960	M 1 × 0.25	RH4	4P	30	5.5	7	3	5	2.5	1	B
8321961	M 1 × 0.25		2P	30	5.5	7	3	5	2.5	2	B
8321964	M 1.2 × 0.25		4P	32	5.5	7	3	5	2.5	1	B
8321965	M 1.2 × 0.25		2P	32	5.5	7	3	5	2.5	2	B
8321968	M 1.4 × 0.3		4P	34	7	9	3	5	2.5	1	B
8321969	M 1.4 × 0.3		2P	34	7	9	3	5	2.5	2	B
8321972	M 1.6 × 0.35		4P	36	8	10	3	5	2.5	1	B
8321973	M 1.6 × 0.35		2P	36	8	10	3	5	2.5	2	B
8321976	M 1.6 × 0.2		4P	36	8	10	3	5	2.5	1	B
8321977	M 1.6 × 0.2		2P	36	8	10	3	5	2.5	2	B
8321980	M 1.7 × 0.35		4P	36	8	10	3	5	2.5	1	B
8321981	M 1.7 × 0.35		2P	36	8	10	3	5	2.5	2	B
8321984	M 2 × 0.4		4P	40	8	10.5	3	5	2.5	1	B
8321985	M 2 × 0.4		2P	40	8	10.5	3	5	2.5	2	B
8321988	M 2.3 × 0.4		4P	42	9.5	14.5	3	5	2.5	3	B
8321989	M 2.3 × 0.4		2P	42	9.5	14.5	3	5	2.5	4	B
8321992	M 2.5 × 0.45		4P	44	9.5	14.5	3	5	2.5	3	B
8321993	M 2.5 × 0.45		2P	44	9.5	14.5	3	5	2.5	4	B
8321996	M 2.6 × 0.45	4P	44	9.5	14.5	3	5	2.5	3	B	
8321997	M 2.6 × 0.45	2P	44	9.5	14.5	3	5	2.5	4	B	
8322008	M 3 × 0.5	RH5	4P	46	9	18	4	6	3.2	5	B
8322009	M 3 × 0.5		2P	46	9	18	4	6	3.2	6	B

B = Standard stock

No. EDP No.	Thread Size	TAP Limit	ℓc	L	ℓ	ℓn	Ds	ℓk	K	Type	Stock
8322032	M 4 × 0.7	RH6	4P	52	10	20	5	7	4	5	B
8322033	M 4 × 0.7		2P	52	10	20	5	7	4	6	B
8322044	M 5 × 0.8		4P	60	11	22	5.5	7	4.5	5	B
8322045	M 5 × 0.8		2P	60	11	22	5.5	7	4.5	6	B
8322056	M 6 × 1	RH7	4P	62	10	24	6	7	4.5	5	B
8322057	M 6 × 1		2P	62	10	24	6	7	4.5	6	B
8322059	M 6 × 1	RH9	2P	62	10	24	6	7	4.5	6	D
8322075	M 8 × 1.25	RH5	2P	70	12	—	6.2	8	5	7	D
8322076	M 8 × 1.25	RH7	4P	70	12	—	6.2	8	5	7	B
8322077	M 8 × 1.25		2P	70	12	—	6.2	8	5	7	B
8322079	M 8 × 1.25	RH8	2P	70	12	—	6.2	8	5	7	D
8322090	M 8 × 1	RH7	4P	70	12	—	6.2	8	5	7	B
8322091	M 8 × 1		2P	70	12	—	6.2	8	5	7	B
8322107	M10 × 1.5	RH5	2P	75	15	—	7	8	5.5	7	D
8322108	M10 × 1.5	RH7	4P	75	15	—	7	8	5.5	7	B
8322109	M10 × 1.5		2P	75	15	—	7	8	5.5	7	B
8322111	M10 × 1.5	RH9	2P	75	15	—	7	8	5.5	7	D
8322121	M10 × 1.25	RH5	2P	75	15	—	7	8	5.5	7	D
8322122	M10 × 1.25	RH7	4P	75	15	—	7	8	5.5	7	B
8322123	M10 × 1.25		2P	75	15	—	7	8	5.5	7	B
8322125	M10 × 1.25	RH8	2P	75	15	—	7	8	5.5	7	D
8322134	M10 × 1	RH7	4P	75	15	—	7	8	5.5	7	B
8322135	M10 × 1		2P	75	15	—	7	8	5.5	7	B
8322145	M12 × 1.75	RH6	2P	82	17	—	8.5	9	6.5	7	D
8322146	M12 × 1.75	RH8	4P	82	17	—	8.5	9	6.5	7	B
8322147	M12 × 1.75		2P	82	17	—	8.5	9	6.5	7	B
8322149	M12 × 1.75	RH10	2P	82	17	—	8.5	9	6.5	7	D
8322160	M12 × 1.5	RH7	4P	82	17	—	8.5	9	6.5	7	B
8322161	M12 × 1.5		2P	82	17	—	8.5	9	6.5	7	B
8322176	M12 × 1.25		4P	82	17	—	8.5	9	6.5	7	B
8322177	M12 × 1.25		2P	82	17	—	8.5	9	6.5	7	B
8322194	M12 × 1		4P	82	17	—	8.5	9	6.5	7	B
8322195	M12 × 1		2P	82	17	—	8.5	9	6.5	7	B
8322217	M14 × 2	RH10	2P	88	20	—	10.5	11	8	7	B
8322227	M14 × 1.5	RH9	2P	88	20	—	10.5	11	8	7	B
8322245	M16 × 2	RH10	2P	95	20	—	12.5	13	10	7	B
8322255	M16 × 1.5	RH9	2P	95	20	—	12.5	13	10	7	B

Low Carbon Steels	Medium Carbon Steels	High Carbon Steels	Alloy Steels	Hardened Steels			Stainless Steels	Tool Steels	Cast Steels	Cast Iron	Ductile Cast Iron	Copper	Brass	Brass Casting	Bronze	Aluminum Rolled	Aluminum Alloy Casting	Magnesium Alloy Casting	Zinc Alloy Casting	Titanium Alloys	Nickel Alloys	Thermo Setting Plastic	Thermo Plastic
C ~0.25%	C 0.25% ~0.45%	C 0.45%~	SCM	25~45 HRC	45~55 HRC	50~60 HRC	SUS	SKD	SC	FC	FCD	Cu	Bs	BsC	PB	AL	AC,ADC	MC	ZDC				
⊙	⊙	⊙	⊙	⊙			⊙		○			⊙	⊙	⊙		⊙	⊙		⊙				

⊙: Best ○: Good